



O₂

Optical D.O. Sensor reduces energy costs

DURABLE, WITH FACTORY CALIBRATION, NO MAINTENANCE CONTRACT



a xylem brand

Increase efficiency...

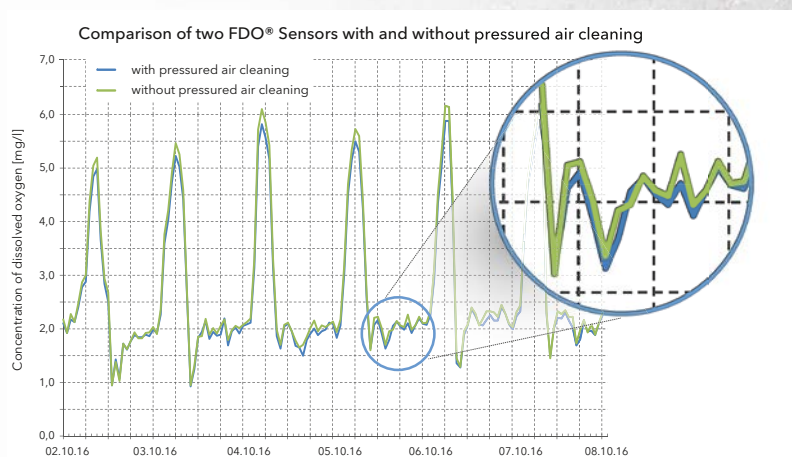
- Precise measurement with innovative sensor cap
- Low operating costs and minimal maintenance
- Reduced energy costs

Precise measurement with innovative sensor cap

The innovative geometry of the membrane cap with 45° angle enables the precise oxygen measurement and avoids false high readings. Due to the automatic recognition of the calibration free cap, a manual input of the serial number is not needed (potential source of error). The fast and easy cap change saves a lot of work and time.

Low operating costs and low maintenance effort

The long lifetime of the cap (3-5 years) ensures sustainable operation and minimized maintenance costs. Further, the moveable sensor mounting enables a self-cleaning effect at the measuring window. Additional cleaning with pressured air are possible for special applications, but not required for typical municipal wastewater treatment plants (see figure below).



Convince yourself with our HowTo videos!

Precise measurements, easy cap change and many more advantages.

WTW at YouTube

Subscribe to our YouTube channel, and be updated about our new video uploads!

<http://www.youtube.com/wtwgmbhinternational>

Connectable to the IQ SENSOR NET



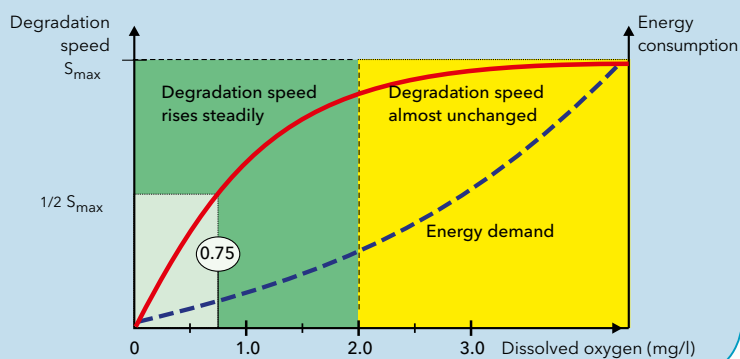
- For systems 2020 and 282/284
- Can be combined with all IQ Sensors for more parameters (e.g. NH_4 , NO_3 , NO_2 , COD, Turb, TS, PO_4)

Reduce energy costs by optimal aeration

Not too much, but always enough. Precise measurements allow the control of the oxygen concentration to the perfect value. A moveable mounting with swing mounting prevents too high readings and algae growth.

By means of the FDO® 700 IQ you can increase efficiency and keep costs under control

Dependency of NH_4 -N degradation from oxygen concentration



For more detailed information please visit our website:
www.WTW.com/en/iq-sensors
(For convenience use our QR code).



You want more?

Even more efficiency? Even lower costs?
Even higher transparency?
If so, our VARiON® 700 IQ for NH_4 and NO_3 is just the right sensor.

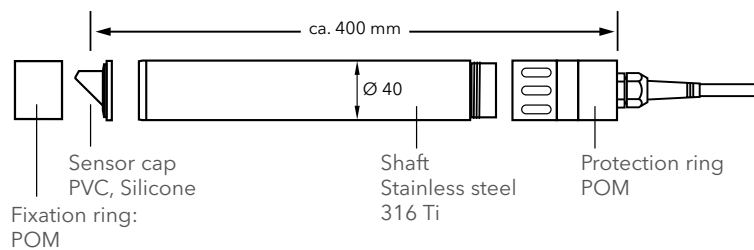


Technical Data

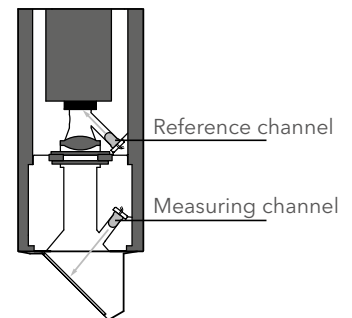
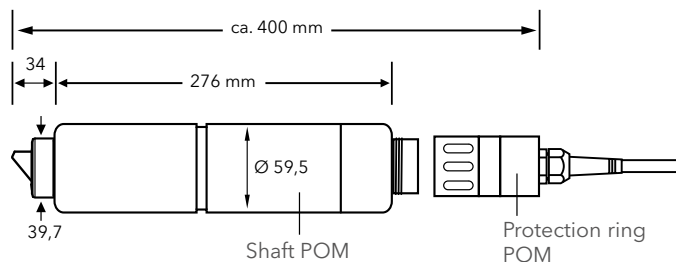
| | FDO® 700 IQ (SW) | FDO® 701 (SW) |
|---------------------------|--|------------------|
| Measuring range | 0 ... 20.00 mg/l (0 ... 20.00 ppm) 0 ... 200.0% | |
| Resolution | 0.01 mg/l (0.01 ppm) 0.1% | |
| t ₉₀ (at 25°C) | < 150 s | < 60 s |
| Incident flow | Not required | |
| Sensor monitoring | Monitoring of membrane function | |
| Pressure resistency | Up to 10 bar | |
| Operating temperature | -5 °C ... +50 °C | -5 °C ... +40 °C |

Dimensions FDO® 700

700/701 IQ



700/701 IQ SW



EPRS referencing method

Measuring and reference channel (optical path for comparative measurement/zero point) are identical
⇒ Ideal optical adjustment to minimise drift of the measuring signal

Order Information

| Model | Description | Order No. |
|----------------|---|-----------|
| FDO® 700 IQ | Digital calibration free optical oxygen sensor, with factory calibrated membrane cap SC-FDO® 700, without connection cable. | 201650 |
| FDO® 701 IQ | Digital calibration free optical oxygen sensor with faster response time, with factory calibrated membrane cap SC-FDO® 701, without connection cable. | 201660 |
| FDO® 700 IQ SW | Like FDO® 700 IQ, but higher resistency to corrosion | 201652 |
| FDO® 701 IQ SW | Like FDO® 701 IQ, but higher resistency to corrosion | 201653 |
| SC-FDO® 700 | Sensor cap for FDO® 700 IQ (SW) | 201654 |
| SC-FDO® 701 | Sensor cap with faster response time for FDO® 701 IQ (SW) | 201655 |
| MSK FDO® CS | Membrane protection cap, for protection against fishes and rock slide | 205253 |
| SACIQ-1,5 | Sensor adapter cable, with IP 68 waterproof connection, length 1.5 m | 480040 |
| SACIQ-7,0 | Sensor adapter cable, with IP 68 waterproof connection, length 7 m | 480042 |
| SACIQ-15,0 | Sensor adapter cable, with IP 68 waterproof connection, length 15 m | 480044 |

